

# CLDB series recessed LED downlight

## CLDB Series SMD LED Downlight



3 inch  
CLDB-0105



4 inch  
CLDB-0109



6 inch  
CLDB-0115



8 inch  
CLDB-0120



Thin design, 29mm thick



LED driver inside view



Spring clip system



PF > 0.9 isolated LED driver  
High reliability connector



Cable clamp  
FRP isolating sleeve



Front view white coating frame

www.coolightled.com

**Product highlight:**

1. Slim design backlight LED downlight, only 29mm thick,
2. Coolight self-design high stability isolated constant current LED driver,
3. Optimized SMD LED arrangement to get long life time,
4. Low glare rate, good light quality output,
5. Cable clamp and FRP isolating sleeve to avoid cable damage,
6. Well-designed cut size, ideal replacement for traditional downlights directly.

**Specification:**

Product Name: CLDB series recessed LED downlight

Power consumption: 7W for 3inch, 12W for 4inch, 20W for 6inch, 26W for 8inch

Heat sink material: Die-casting aluminum

LED driver type: Isolated constant current LED driver

LED driver input voltage: 100-240V AC

LED driver PF: PF>0.9

Standard CRI: CRI>80 (3000K,4000K); CRI>70 (6000K)

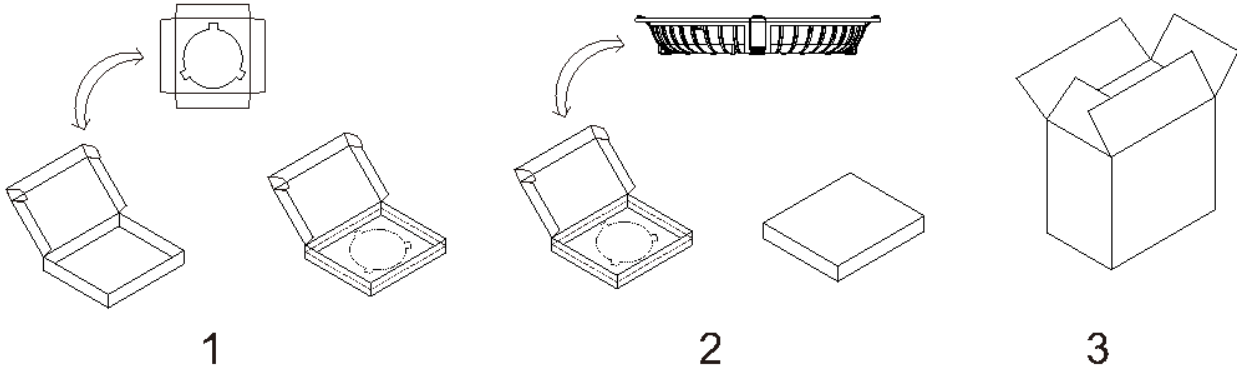
Beam angle: 100 degree

Color temperature: 3000k, 4000k, 6000k optional

Luminous flux: detail lumen information as following table

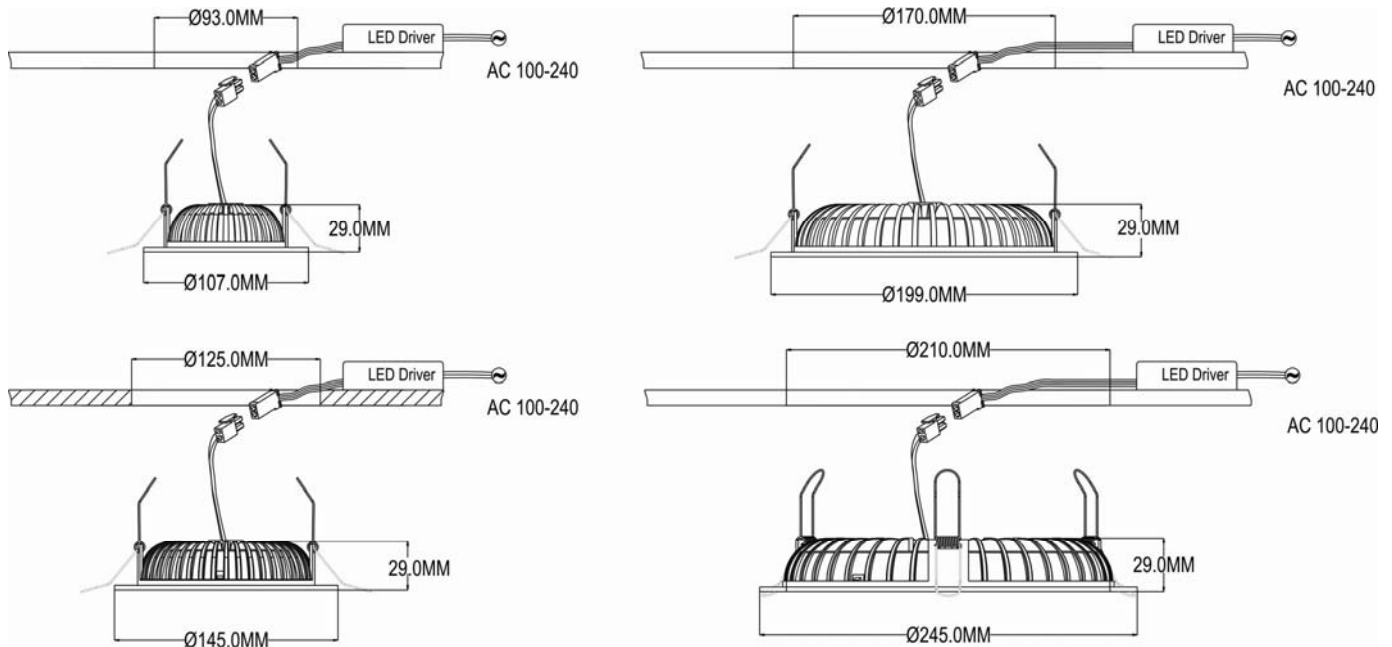
Product Name	Part No.	Input Voltage	Input Current (A)	Power (W)	Power Factor	Luminous flux (lm)	CCT (K)	CRI	Beame Angle	Cut Size (mm)	Weight(g)	
											N.W	G.W
3" LED Downlight	CLDB-0105	100-240 VAC	0.033 (@220VAC)	7	>0.9	620	6000	>70	100°	Ø93	208	260
						360	4000	>80				
						350	3000	>80				
4" LED Downlight	CLDB-0109		0.057 (@220VAC)	12	>0.9	950	6000	>70		Ø125	320	406
						750	4000	>80				
						700	3000	>80				
6" LED Downlight	CLDB-0115		0.096 (@220VAC)	20	>0.9	1750	6000	>70		Ø170	510	610
						1460	4000	>80				
						1360	3000	>80				
8" LED Downlight	CLDB-0120		0.124 (@220VAC)	26	>0.9	2100	6000	>70		Ø210	740	886
						1500	4000	>80				
						1400	3000	>80				

**Package information:**



Part No.	Single box (mm)	G.W. per pcs (±5%)	Outer carton (mm)	QTY per Carton (pcs)	G.W per carton (±5%)
CLDB- 0105	150*145*50	260g	455*585*260	60	17.1kg
CLDB- 0109	185*180*50	406g	545*375*260	30	13.7kg
CLDB- 0115	240*235*50	610g	485*465*260	20	13.8kg
CLDB- 0120	285*280*50	886g	560*285*510	20	19.1kg

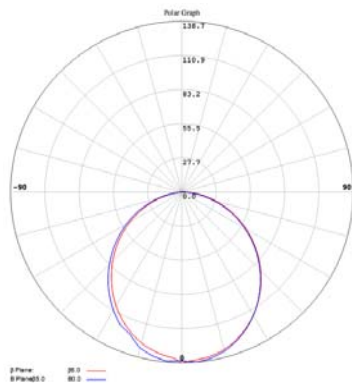
**Cut size and installation diagram:**



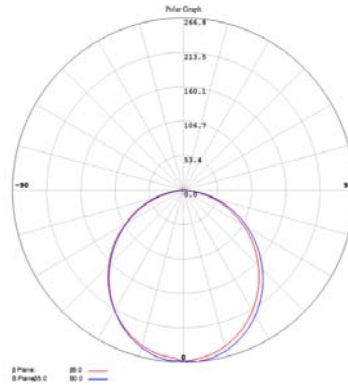
**CAUTION:**

- 1) Indoor use only.
- 2) Working temperature: -20-40 degree.
- 3) Please turn off power prior to installation, replacement and cleaning.
- 4) Do not try to disassemble the lamp.
- 5) Non-dimmable, can't be installed in dimming circuit.

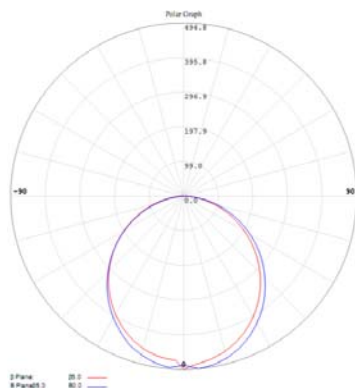
**Light Distribution Curve(cd)**



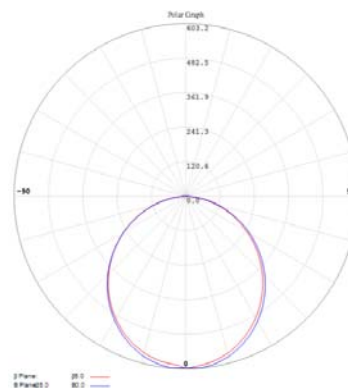
CLDB-0105



CLDB-0109

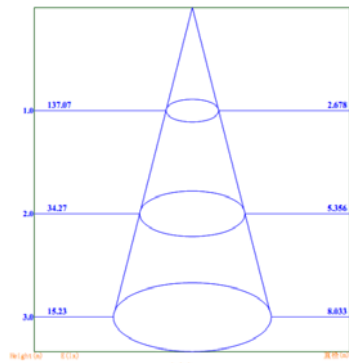


CLDB-0115

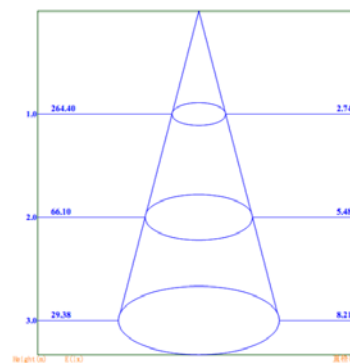


CLDB-0120

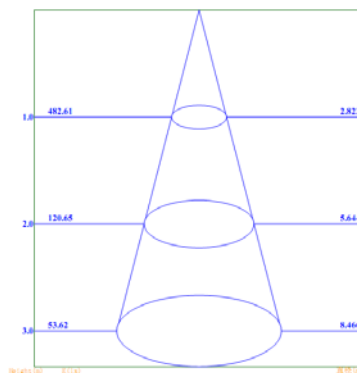
**Lux test diagram**



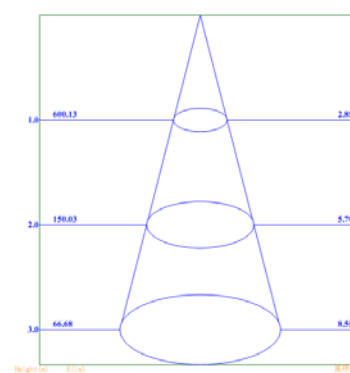
CLDB-0105



CLDB-0109



CLDB-0115



CLDB-0120